

Алматы (7273)495-231
Ангарск (3955)60-70-56
Архангельск (8182)63-90-72
Астрахань (8512)99-46-04
Барнаул (3852)73-04-60
Белгород (4722)40-23-64
Благовещенск (4162)22-76-07
Брянск (4832)59-03-52
Владивосток (423)249-28-31
Владикавказ (8672)28-90-48
Владимир (4922)49-43-18
Волгоград (844)278-03-48
Вологда (8172)26-41-59
Воронеж (473)204-51-73
Екатеринбург (343)384-55-89

Иваново (4932)77-34-06
Ижевск (3412)26-03-58
Иркутск (395)279-98-46
Казань (843)206-01-48
Калининград (4012)72-03-81
Калуга (4842)92-23-67
Кемерово (3842)65-04-62
Киров (8332)68-02-04
Коломна (4966)23-41-49
Кострома (4942)77-07-48
Краснодар (861)203-40-90
Красноярск (391)204-63-61
Курск (4712)77-13-04
Курган (3522)50-90-47
Липецк (4742)52-20-81

Магнитогорск (3519)55-03-13
Москва (495)268-04-70
Мурманск (8152)59-64-93
Набережные Челны (8552)20-53-41
Нижний Новгород (831)429-08-12
Новокузнецк (3843)20-46-81
Ноябрьск (3496)41-32-12
Новосибирск (383)227-86-73
Омск (3812)21-46-40
Орел (4862)44-53-42
Оренбург (3532)37-68-04
Пенза (8412)22-31-16
Петрозаводск (8142)55-98-37
Псков (8112)59-10-37
Пермь (342)205-81-47

Ростов-на-Дону (863)308-18-15
Рязань (4912)46-61-64
Самара (846)206-03-16
Санкт-Петербург (812)309-46-40
Саратов (845)249-38-78
Севастополь (8692)22-31-93
Саранск (8342)22-96-24
Симферополь (3652)67-13-56
Смоленск (4812)29-41-54
Сочи (862)225-72-31
Ставрополь (8652)20-65-13
Сургут (3462)77-98-35
Сыктывкар (8212)25-95-17
Тамбов (4752)50-40-97
Тверь (4822)63-31-35

Тольятти (8482)63-91-07
Томск (3822)98-41-53
Тула (4872)33-79-87
Тюмень (3452)66-21-18
Ульяновск (8422)24-23-59
Улан-Удэ (3012)59-97-51
Уфа (347)229-48-12
Хабаровск (4212)92-98-04
Чебоксары (8352)28-53-07
Челябинск (351)202-03-61
Череповец (8202)49-02-64
Чита (3022)38-34-83
Якутск (4112)23-90-97
Ярославль (4852)69-52-93

Россия +7(495)268-04-70

Казахстан +7(7172)727-132

Киргизия +996(312)96-26-47

<https://vickers.nt-rt.ru> || vsh@nt-rt.ru

SM4-30 Servovalves

Flows to 113 l/min (30 USgpm) — Pressures to 140 bar (2000 psi)



Released 1/94

Introduction

Vickers SM4-30 servovalves can provide system closed loop control with exact positional accuracy, repeatable velocity profiles, and predictable force or torque regulation.

Typical applications include plastic injection molding and blow molding systems, test and simulation equipment, die casting machines, hydraulic press brakes, animation and entertainment equipment, oil exploration vehicles, and lumber machinery.

This model of the high performance SM4 series offers a wide range of rated flows from 57 to 113 l/min (15 to 30 USgpm) at Δp of 70 bar (1000 psi).

The SM4 is a two-stage, modular design, flow control valve which can be

manifold or subplate mounted. The symmetrical, dual coil, quad air gap torque motor is integrally mounted to the first stage nozzle flapper pilot valve with two studs. An integral 35 micron absolute filter protects against contamination of the pilot stage. The second stage utilizes a four-way sliding spool and sleeve arrangement with a mechanical null adjust. Spool position is fed back to the first stage by means of a cantilever spring.

An SM4 servovalve, when used with a hydraulic cylinder, position transducer, and appropriate electronics, can provide infinite cylinder position control to within 0,025 mm (0.001 in) or better, depending on component selection, length of stroke, and load characteristics.

When applied with servo hydraulic motors, tachometers, and appropriate electronics, the SM4-30 can provide infinite proportional flow control for real-time velocity/acceleration profiles. These profiles can be closed loop error corrected to within one-tenth of a revolution per minute. When used with pressure transducers or load cells, cylinders, and appropriate electronics in force control applications, the SM4 offers exact load pressure/force control and excellent system stability with pressure and load to $\pm 1\%$ full scale.

The field-proven design of the SM4-30 servovalves, combined with Vickers precision manufacturing techniques, provides you with the optimum in system control.

Features and Benefits

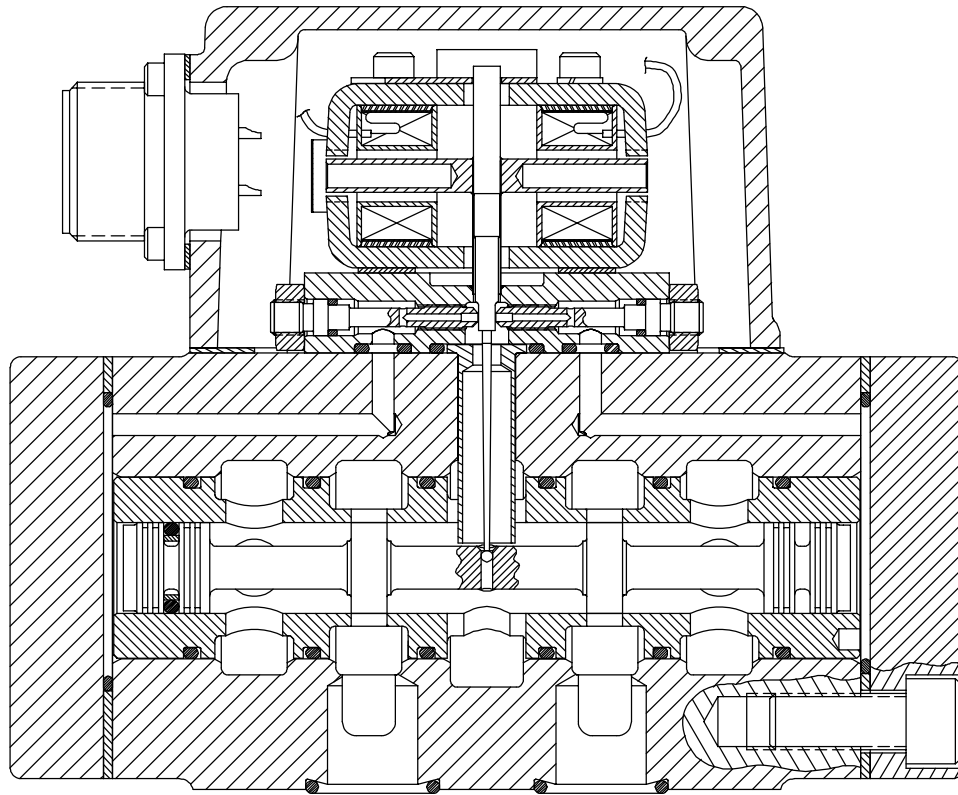
- The wide range of SM4-30 flow capabilities allows selection of the valve size best suited for an application.
- The cast aluminum alloy second stage valve body with internally cored flow passages means lighter weight with rugged durability.
- The symmetrical, dual-coil, quad air gap, dry torque motor in Vickers servovalves, with its extremely fast response to input signals, can produce highly accurate control profiles.
- Higher frequency response is available on request. This feature provides enhanced system bandwidth for critical performance requirements.
- An integral 35 micron absolute filter provides extra first stage contamination protection.
- The spool and sleeve are hardened stainless steel to minimize wear and erosion. The O-ring mounted sleeve eliminates spool binding to ensure smooth operation.
- Customized spool lap and sleeve porting are available to provide the specific flow control required for special applications.
- The SM4's symmetrical design provides inherently dependable metering of control flow with minimum null shifts. The result is more consistent machine operation.
- Viton* seals are standard.
- The flexibility of a standardized port circle and mounting pattern, with available adapter manifolds, makes Vickers SM4-30 servovalves a cost-effective choice for replacing existing servovalves and enhancing system performance.
- Flushing valves are available that can greatly reduce initial system contamination levels prior to SM4 installation.

* Viton is a registered trademark of the DuPont Co.

Contents

| | |
|----------------------------------|----|
| Operating Data | 3 |
| Performance Curves | 7 |
| Model Code | 10 |
| Installation Dimensions | 11 |
| SM4M(E) Mounting Subplates | 12 |
| SM4A Adapter Manifolds | 15 |
| SM4FV Flushing Valves | 17 |
| Weights | 18 |
| Additional Accessories | 18 |
| Application Data | 19 |

**Cross Section of Typical
SM4-30 Servovalve**



Operating Data

Flow and Leakage

All data is typical, based on actual tests at 70 bar (1000 psi) Δp , 30 cST (141 SUS), and 49°C (120°F).

| Model Series | Maximum Rated Flow $\pm 10\%$ l/min (USgpm) | Maximum Total Null Leakage l/min (USgpm) | Maximum Pilot Flow l/min (USgpm) |
|---------------------|--|---|-------------------------------------|
| SM4-30 (-20 design) | 113 (30) | 2,1 (0.55) | 1,0 (0.26) |

Performance

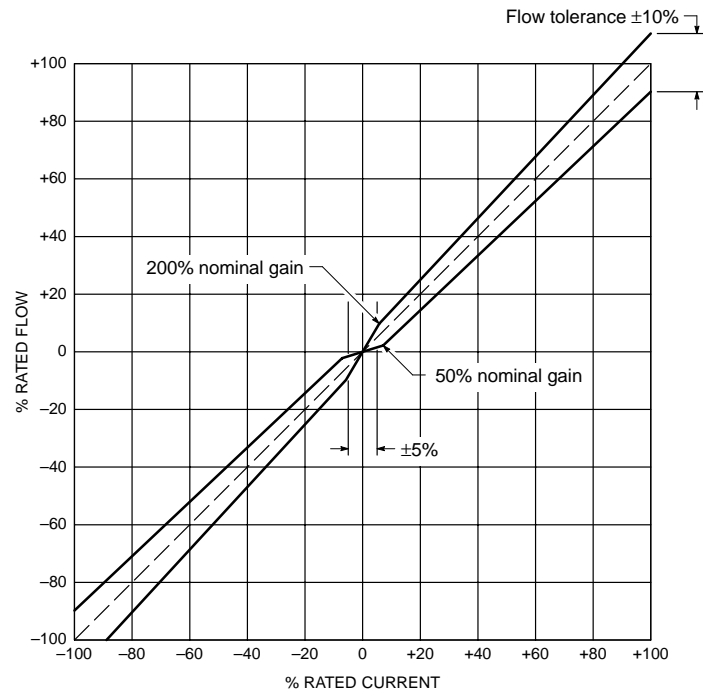
| | |
|--|--|
| Maximum Supply Pressure bar (psi) | 140 (2000) |
| Minimum Supply Pressure bar (psi) | 14 (200) |
| Proof Pressure % maximum supply pressure | At Supply Port: 150 At Return Port: 100 |
| Burst Pressure, Return Port Open % maximum supply pressure | 250 |
| Maximum Operating Temperature °C (°F) | 135 (275) |
| Hysteresis Around Null % of rated current | ≤ 3 |
| Symmetry Error % of rated current | < 10 |
| Linearity Error % of rated current | < 10 |
| Threshold % of rated current | ≤ 0.5 |

Ruggedness Test Results

| | |
|--|-------------------------------|
| Vibration Test 5 Hz to 2000 Hz along each axis | No damage to components |
| Shock Test Up to 150g along all axes | No damage to components |
| Endurance Test To ISO 6404 | No degradation in performance |

Flow Gain

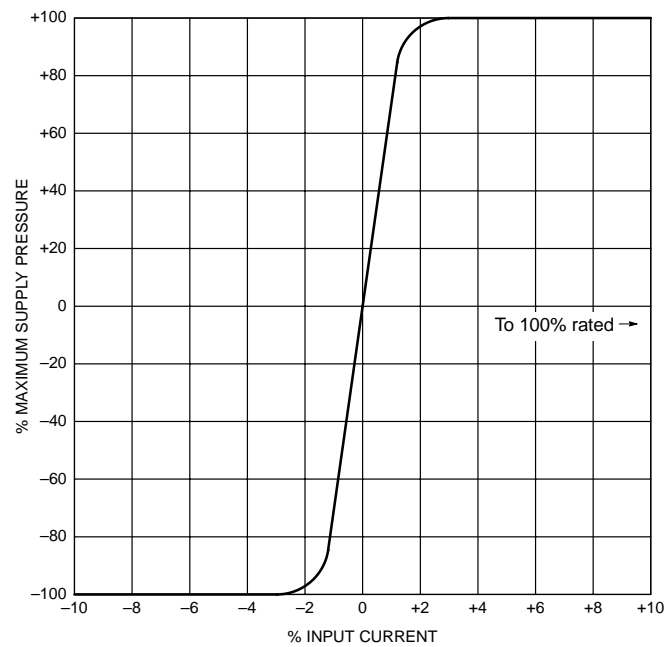
Normal region for standard models shown with typical no-load flow gain tolerances excluding hysteresis.



Pressure Gain

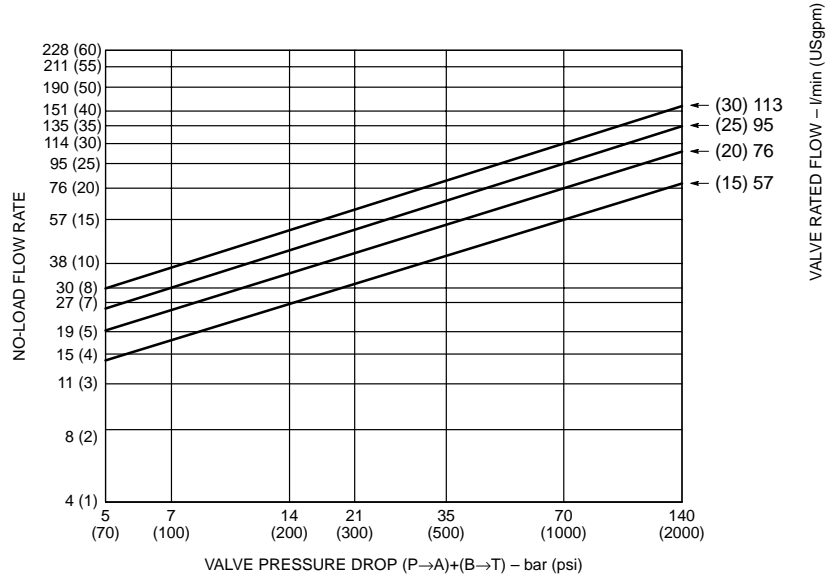
Change in load pressure drop with input current shown with no valve flow and closed control ports.

Pressure gain in the null region is >30% of supply pressure per 1% of rated current.



Change in Rated Flow

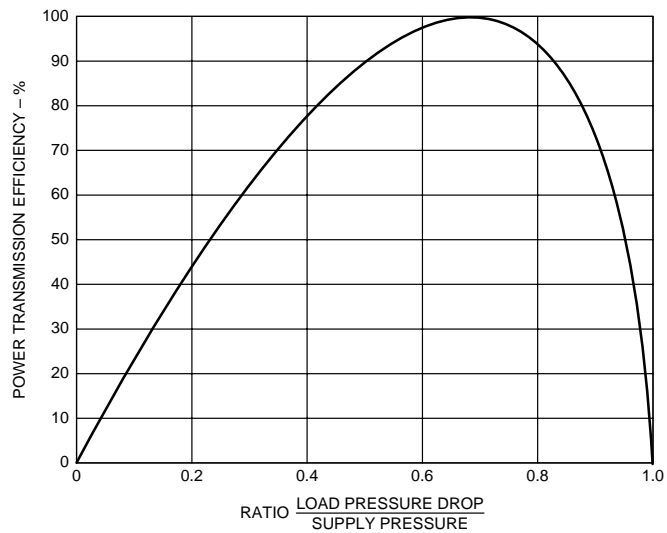
Rated flows at valve pressure drops from 5 bar (70 psi) to 210 bar (3000 psi) for the four available spools.



Power Transmission Efficiency

Maximum power envelope expressed as a percentage with T port pressure equal to 0 bar.

Power transferred to the load is optimum when valve pressure drop is one third of supply pressure. Load pressure drop should be limited to $\frac{2}{3}$ of supply pressure so the flow gain of the servovalve remains high enough to maintain control of the load. Overall hydraulic efficiency must be considered when sizing system heat exchangers.



Coil Resistance

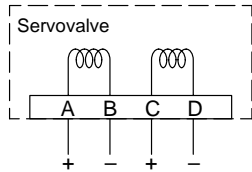
Select coil resistance and connections for compatible interface to servo electronics. **Recommended coil rated current and resistance is shown in bold print.**

| | Nominal Resistance Per Coil at 21°C (70°F) Ohms | Rated Current mA | |
|--|---|---|-------------------|
| | | Single, Parallel, or Differential Connection | Series Connection |
| Standard coil rated current and resistance selection | 80 | 65 | 32.5 |
| Optional coil rated current and resistance selection | 80 | 50 | 25 |

Electrical Polarity for Control Flow Out of B Port

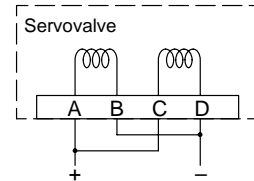
Single:

A+, B-
or
C+, D-



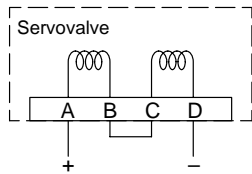
Parallel:

A+, C+
B-, D-
Connect A and C
Connect B and D



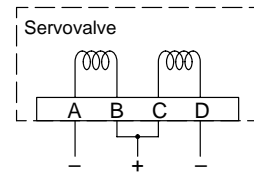
Series:

A+, D-
Connect B and C



Differential:

A-, D-
B+, C+
Connect B and C
BC-, current BA>CD
BC+, current CD>BA



Performance Curves

Frequency Response

Frequency response is defined as the relationship of no-load control flow to input current with a sinusoidal current sweep at constant amplitude over a range of frequencies. It is expressed in frequency (Hz), amplitude ratio (dB), and phase angle (degrees).

As shown in the sample curve (below left), standard comparison points for servovalve frequency response are those frequencies at which -3 dB amplitude ratio and 90° phase angle occur.

Vickers SM4 torque motors are magnetically stabilized for reliable servovalve performance at operating pressures from 14 to 1400 bar (200 to 2000 psi).

Calculating Frequency Response at System Pressure

P_S = System pressure

P_M = maximum supply pressure of valve: 140 bar (2000 psi) for SM4-30

f_{PM} = Frequency (at 90° phase angle) at maximum supply pressure (P_M)

f_{PS} = Frequency (at 90° phase angle) at system pressure (P_S)

1. Calculate the ratio of system pressure to maximum supply pressure:

$$\frac{P_S}{P_M}$$

2. Use the result of step 1 and the curve below to estimate

$$\frac{f_{PS}}{f_{PM}}$$

3. Use the applicable frequency response curve from the following pages to estimate f_{PM} (the maximum supply pressure frequency response at 90° phase angle) for the desired valve rated flow.

4. Multiply the values obtained in steps 2 and 3. The result is f_{PS} (system pressure frequency response at 90° phase angle).

Example: An SM4-30 valve with a flow of 95 l/min (25 USgpm) is to be used at 110 bar (1600 psi).

1. Calculate the ratio of system pressure to maximum supply pressure:

$$\frac{P_S}{P_M} = \frac{1600 \text{ psi}}{2000 \text{ psi}} = 0.8$$

2. Use the result of step 1 and the curve below right to estimate

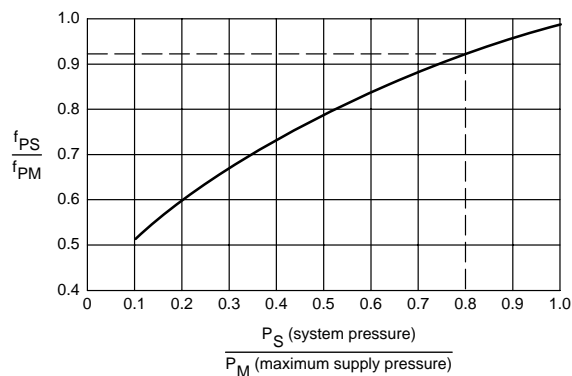
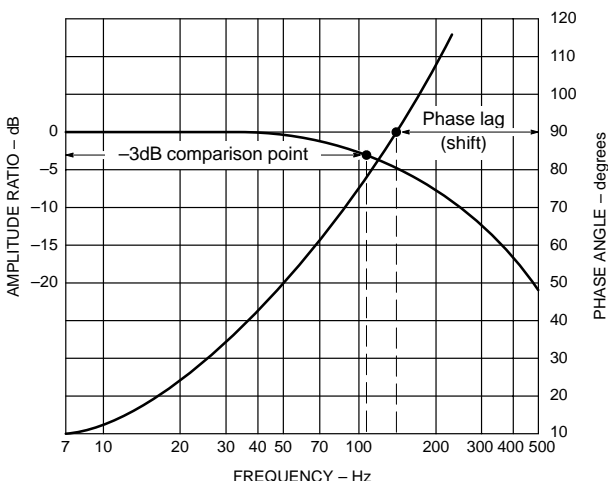
$$\frac{f_{PS}}{f_{PM}} = 0.92$$

3. Use the frequency response curve from page 8 to estimate f_{PM} .

$$f_{PM} = 35 \text{ Hz}$$

4. Multiply the values obtained in steps 2 and 3. The result is f_{PS} (system pressure frequency response at 90° phase angle).

$$f_{PS} = 0.92 \times 35 \text{ Hz} = 32 \text{ Hz}$$



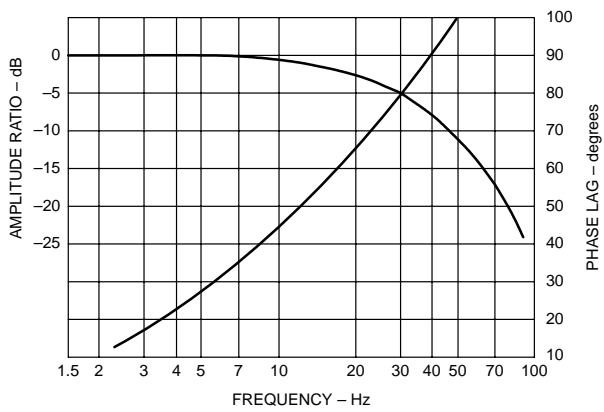
Typical Frequency Response Curves

At 140 bar (2000 psi)

SM4-30

57 l/min (15 USgpm)
76 l/min (20 USgpm)

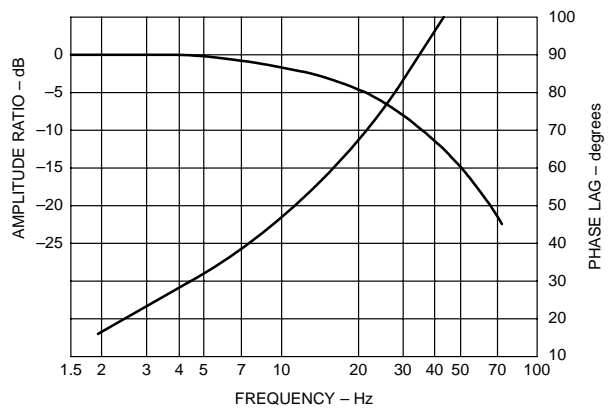
————— ±40% rated current



SM4-30

95 l/min (25 USgpm)
113 l/min (30 USgpm)

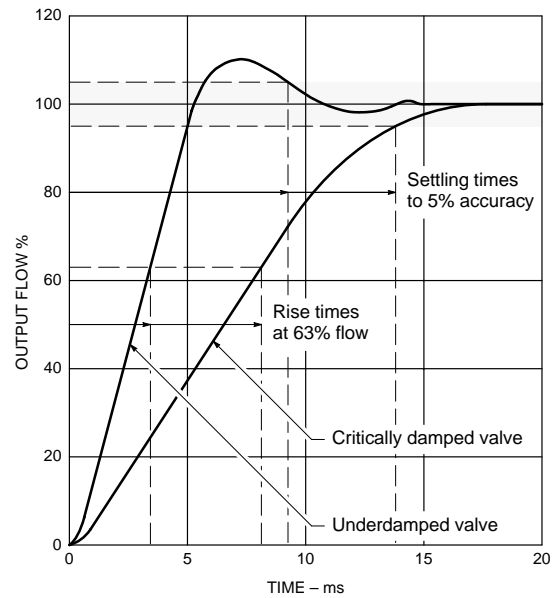
————— ±40% rated current



Step Response

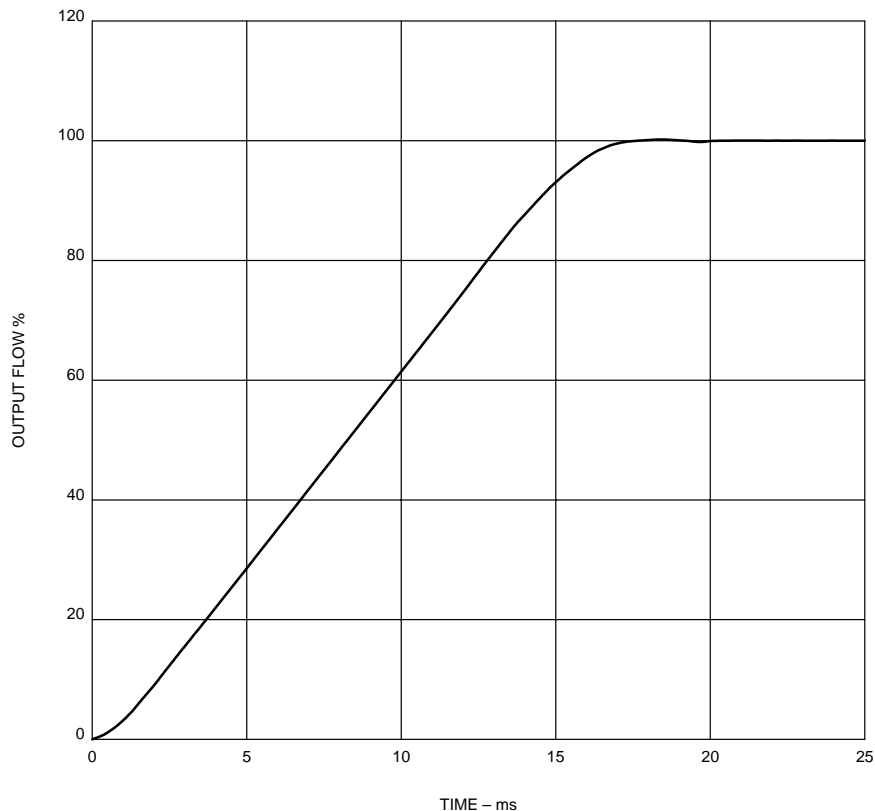
Step response is defined as the typical rise time needed to achieve a given percentage of control flow output. Settling time is the time needed for transient flow fluctuations to diminish to within a given accuracy range. Both are expressed in milliseconds (ms).

The example at right shows the step response curves for a critically damped valve and an underdamped valve. Rise times are illustrated for 63% of control flow output, and settling times are shown at $100 \pm 5\%$ of control flow output.

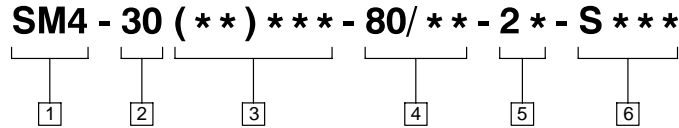


Typical Step Response Curve for Standard Models

SM4-30 with 57, 76, 95, and 113 l/min (15, 20, 25, and 30 USgpm) flow ratings shown at 140 bar (2000 psi).



Model Code



1 Series designation

SM4 – Servovalve, high performance, four-way

2 Valve size (mechanical interface)

30 – Non-circular port configuration (see next page)

3 Flow rating

At 70 bar (1000 psi) Δp P→A→B→T.
Other flows available on request.

| Code | USgpm | l/min |
|----------|-------|-------|
| (15) 57 | 15.0 | 57 |
| (20) 76 | 20.0 | 76 |
| (25) 95 | 25.0 | 95 |
| (30) 113 | 30.0 | 113 |

4 Coil resistance/rated current

Ohms/mA at 21°C (70°F). Other coils available on request.

| Code | Ohms | mA |
|--------------|-----------|-----------|
| 80/65 | 80 | 65 |
| 80/50 | 80 | 50 |

5 Design number

Subject to change. Installation dimensions same for designs 20 through 29.

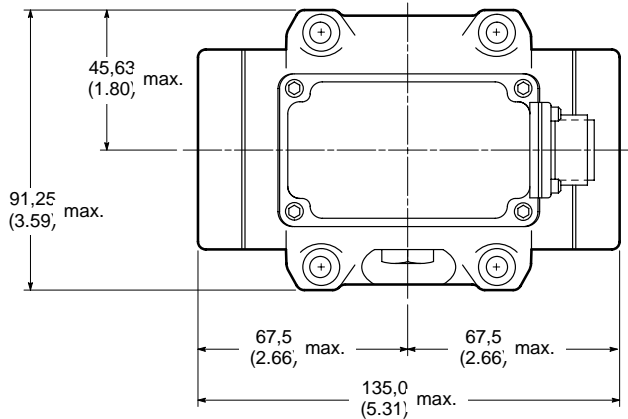
6 Special features suffix

S*** – Vickers assigns a unique suffix to denote a particular group of special features. Contact your Vickers representative for details.

- S55 – Robot valve
- Blank – Standard valve

Installation Dimensions

millimeters (inches)

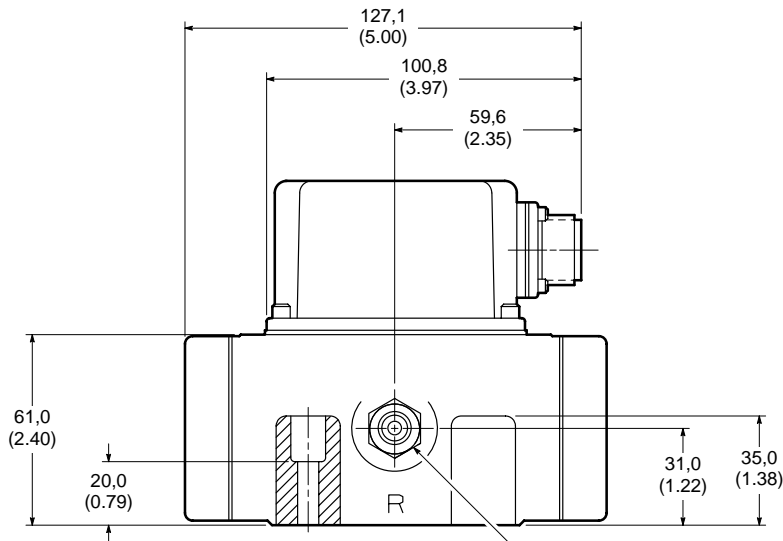


NOTES

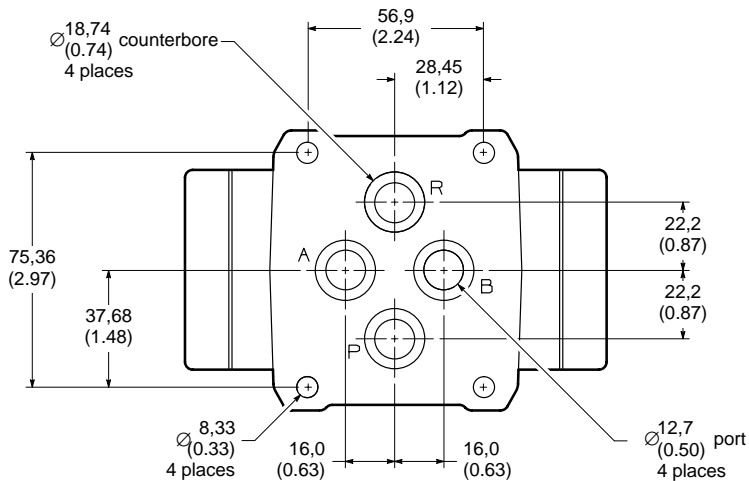
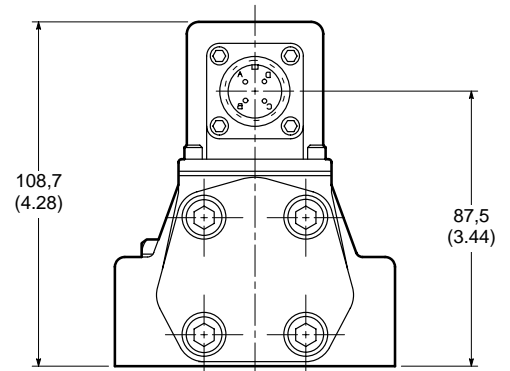
Torque mounting screws to 9 to 14 Nm (80 to 120 lb.in.).

Valve mounting surface requires 32 microinch finish flat within 0,025 (0.001).

Viton port O-rings provided. AS568-010: 1,78 (0.070) cross section and 15,60 (0.614) inner diameter. Replacement O-rings available in seal kit 855989 only.

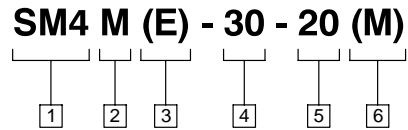


Null adjust
(Do not loosen locknut)



SM4M(E) Mounting Subplates

Model Code



1 Series designation

SM4 – Servovalve, high performance, four-way

3 Port connection locations

Blank – Rear ports
E – Side ports

5 Design number

Subject to change. Installation dimensions same for designs 20 through 29.

2 Accessory designation

M – Mounting subplate. Maximum supply pressure of 210 bar (3000 psi).

4 Standard SM4 valve size

30 – SM4-30

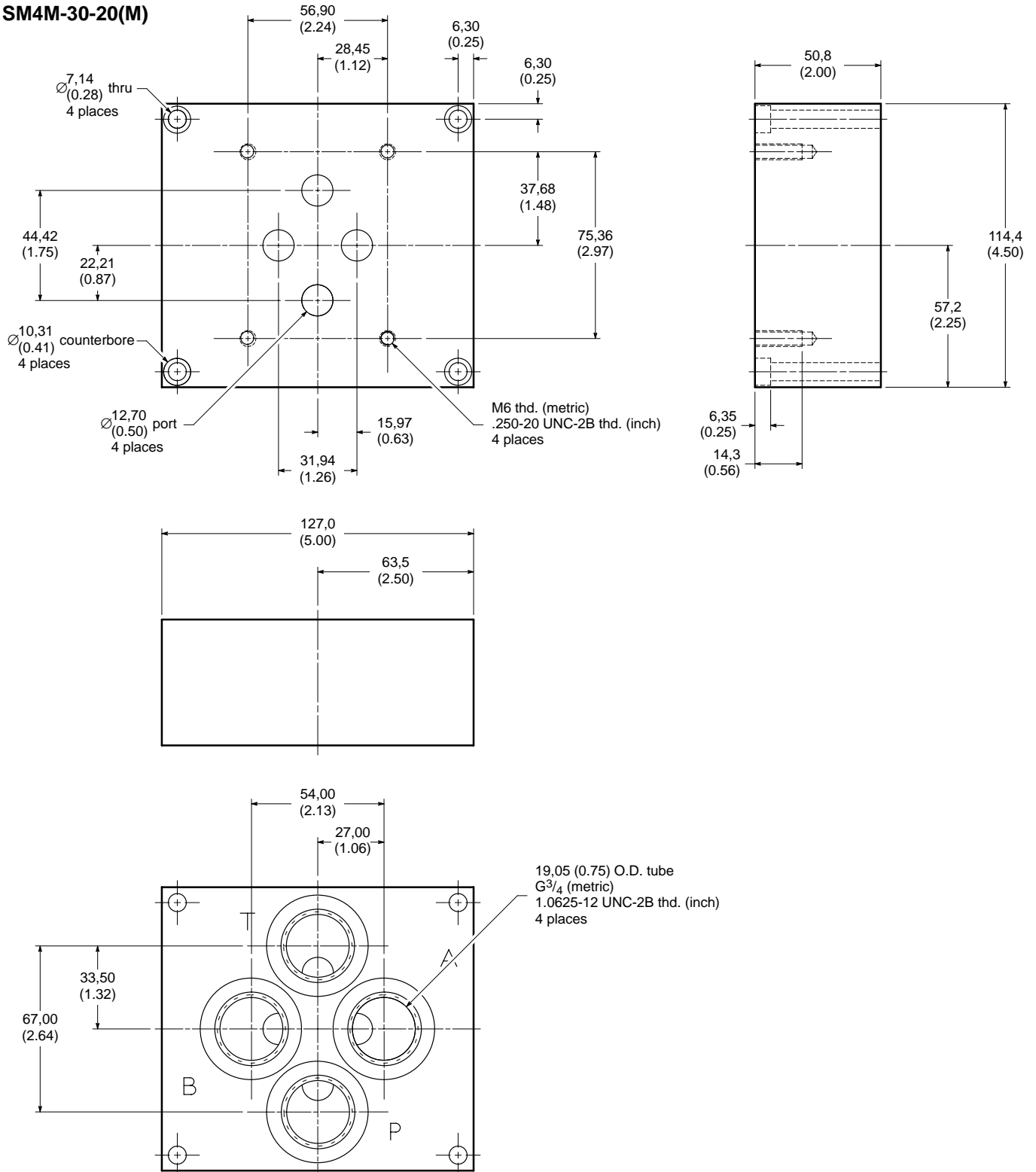
6 Metric suffix

M – Metric version to NG (ISO) standards
Blank – Omit if not required

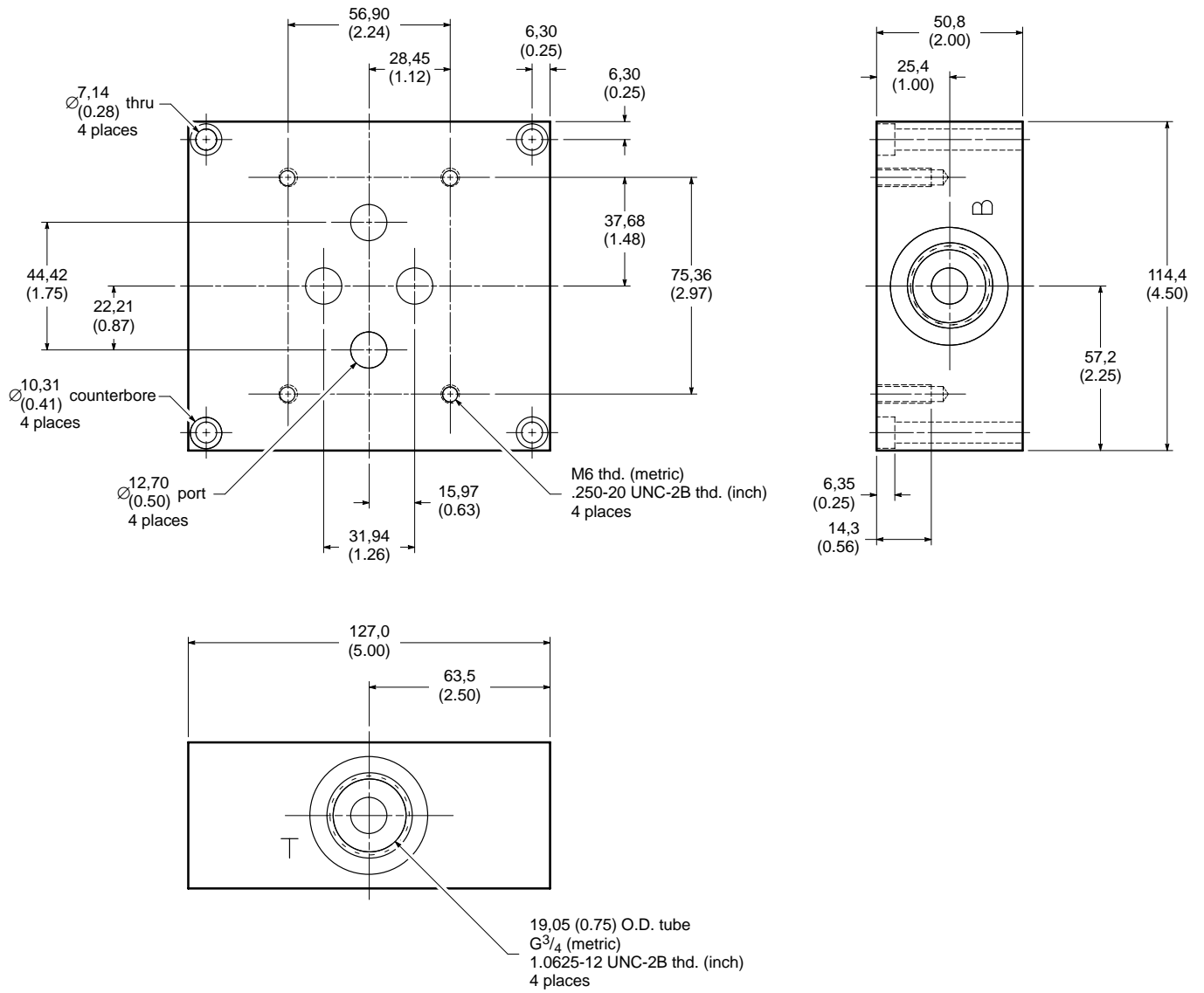
Installation Dimensions

millimeters (inches)

SM4M-30-20(M)

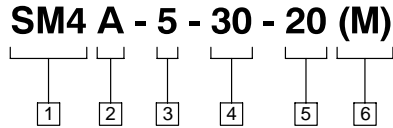


SM4ME-30-20(M)



SM4A Adapter Manifolds

Model Code



1 Series designation

SM4 – Servovalve, high performance, four-way

2 Accessory designation

A – Adapter manifold. Rated supply pressure of 140 bar (2000 psi).

3 Interface

5 – ISO 4401-05 (CETOP 5)

4 Standard SM4 valve size

30 – SM4-30

5 Design number

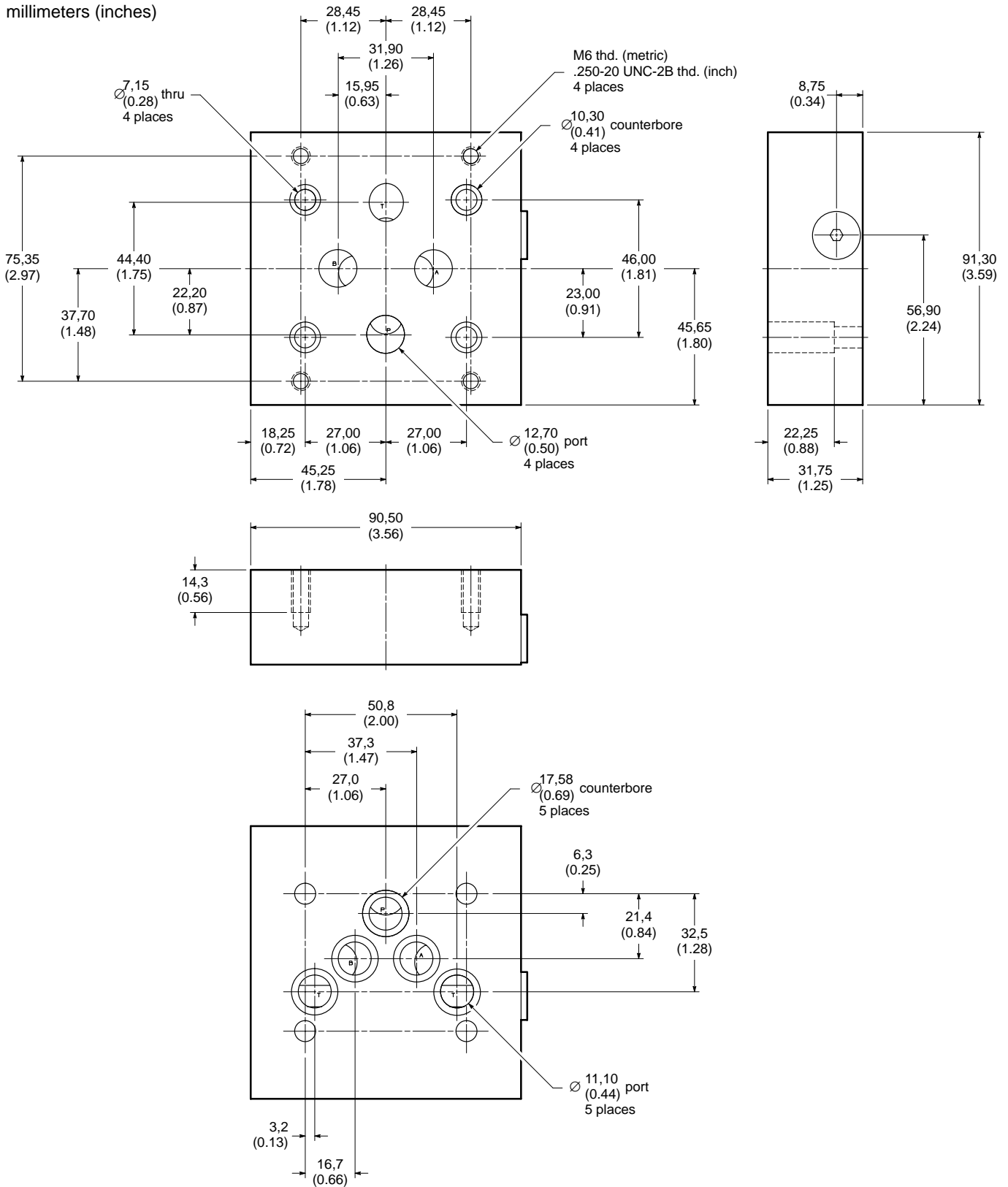
Subject to change. Installation dimensions same for designs 20 through 29.

6 Metric suffix

M – Metric version to NG (ISO) standards
Blank – Omit if not required

Installation Dimensions

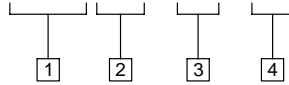
millimeters (inches)



SM4FV Flushing Valves

Model Code

SM4 FV - 30 - 20



1 Series designation

SM4 – Servovalve, high performance, four-way

2 Accessory designation

FV – Flushing valve. Maximum flushing pressure of 35 bar (500 psi).

4 Design number

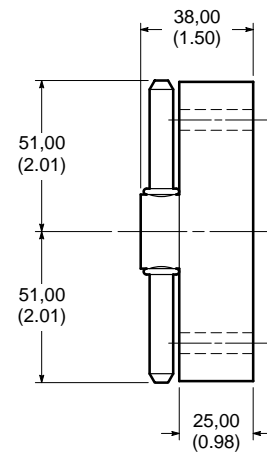
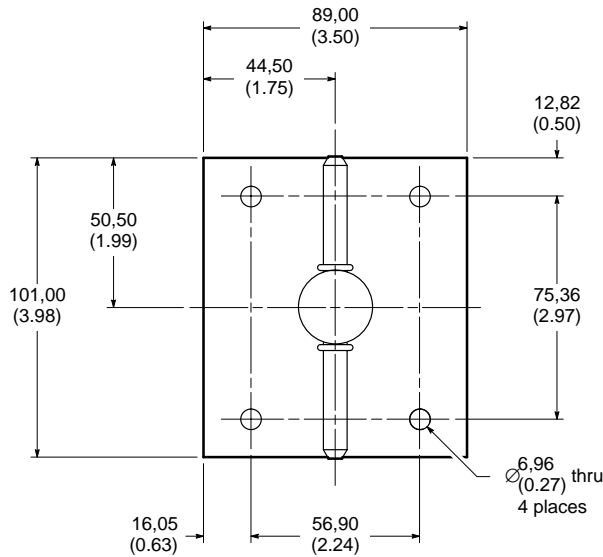
Subject to change. Installation dimensions same for designs 20 through 29.

3 Standard SM4 valve size

30 – SM4-30

Installation Dimensions

millimeters (inches)



NOTES

Bolt kits can be ordered for either inch or metric installations.

Weights

The following table lists approximate dry weights for SM4-40 servovalves and related accessories.

| Description | Model Code | Weight kg (lbs.) |
|-------------------|---------------------|---------------------|
| Servovalve | SM4-30 (-20 design) | 1,9 (4.1) |
| Mounting subplate | SM4M(E)-30-20(M) | 1,8 (4.0) |
| Adapter manifold | SM4A-5-30-20(M) | 0,625 (1.38) |
| Flushing valve | SM4FV-30-20(M) | 0,63 (1.37) |

Additional Accessories

| SM4-30 Accessories | Model Code |
|---|------------|
| Adapter manifold mounting bolt kit (inch) $1/4-20 \times 3/4$ " | BK855986 |
| Adapter manifold mounting bolt kit (metric) M6 x 20mm | BK855987M |
| Cable clamp (MS3057-6) | 126058 |
| Cable connector (MS3106-14S-2S) | 242123 |
| Connector kit | 891795 |
| Filter kit (-20 design) | 891632 |
| Filter kit (-21 design) | 891793 |
| Flushing valve mounting bolt kit (inch) $1/4-20 \times 1 1/2$ " | BK855992 |
| Flushing valve mounting bolt kit (metric) M6 x 35mm | BK689626M |
| Seal kit | 855989 |
| Subplate mounting bolt kit (inch) $1/4-20 \times 2 1/4$ " | BK866685 |
| Subplate mounting bolt kit (metric) M6 x 60mm | BK689623M |
| Valve mounting bolt kit (inch) $1/4-20 \times 1 1/2$ " | BK855992 |
| Valve mounting bolt kit (metric) M6 x 35mm | BK689626M |

Servo Electronics

See application brochure 656 for the complete Vickers line of amplifiers, power supplies, function modules, and controllers.

Application Data

Fluid Cleanliness

Proper fluid condition is essential for long and satisfactory life of hydraulic components and systems. Hydraulic fluid must have the correct balance of cleanliness, materials, and additives for protection against wear of components, elevated viscosity and inclusion of air.

Essential information on the correct methods for treating hydraulic fluid is included in Vickers publication 561 "Vickers Guide to Systemic Contamination Control," available from your local Vickers distributor or by contacting Vickers, Incorporated. Recommendations on filtration and the

selection of products to control fluid condition are included in 561.

Recommended cleanliness levels, using petroleum oil under common conditions, are based on the highest fluid pressure levels in the system and are coded in the chart below. Fluids other than petroleum, severe service cycles, or temperature extremes are cause for adjustment of these cleanliness codes. See Vickers publication 561 for exact details.

Vickers products, as any components, will operate with apparent satisfaction in fluids with higher cleanliness codes than those described. Other manufacturers

will often recommend levels above those specified. Experience has shown, however, that life of any hydraulic component is shortened in fluids with higher cleanliness codes than those listed below. These codes have been proven to provide a long, trouble-free service life for the products shown, regardless of the manufacturer.

NOTE

Vickers will extend, by one year, the standard warranty on all Vickers products used in a system protected by Vickers filters (and elements) applied in a manner consistent with the principles presented in Vickers publication 561.

| Product | System Pressure Level | | | |
|------------------------|-----------------------|-----------------|--------------------|-----------------|
| | bar (psi) | <70 (<2000) | 70–207 (2000–3000) | 207+ (3000+) |
| Vane pumps, fixed | 20/18/15 | 19/17/14 | 18/16/13 | 18/16/13 |
| Vane pumps, variable | 18/16/14 | 17/15/13 | 17/15/13 | 17/15/13 |
| Piston pumps, fixed | 19/17/15 | 18/16/14 | 17/15/13 | 17/15/13 |
| Piston pumps, variable | 18/16/14 | 17/15/13 | 16/14/12 | 16/14/12 |
| Directional valves | 20/18/15 | 20/18/15 | 19/17/14 | 19/17/14 |
| Proportional valves | 17/15/12 | 17/15/12 | 15/13/11 | 15/13/11 |
| Servo valves | 16/14/11 | 16/14/11 | 15/13/10 | 15/13/10 |
| Pressure/Flow controls | 19/17/14 | 19/17/14 | 19/17/14 | 19/17/14 |
| Cylinders | 20/18/15 | 20/18/15 | 20/18/15 | 20/18/15 |
| Vane motors | 20/18/15 | 19/17/14 | 18/16/13 | 18/16/13 |
| Axial piston motors | 19/17/14 | 18/16/13 | 17/15/12 | 17/15/12 |
| Radial piston motors | 20/18/14 | 19/17/13 | 18/16/13 | 18/16/13 |

Алматы (7273)495-231
 Ангарск (3955)60-70-56
 Архангельск (8182)63-90-72
 Астрахань (8512)99-46-04
 Барнаул (3852)73-04-60
 Белгород (4722)40-23-64
 Благовещенск (4162)22-76-07
 Брянск (4832)59-03-52
 Владивосток (423)249-28-31
 Владикавказ (8672)28-90-48
 Владимир (4922)49-43-18
 Вологда (8172)26-41-59
 Воронеж (473)204-51-73
 Екатеринбург (343)384-55-89

Иваново (4932)77-34-06
 Ижевск (3412)26-03-58
 Иркутск (395)279-98-46
 Казань (843)206-01-48
 Калининград (4012)72-03-81
 Калуга (4842)92-23-67
 Кемерово (3842)65-04-62
 Киров (8332)68-02-04
 Коломна (4966)23-41-49
 Кострома (4942)77-07-48
 Краснодар (861)203-40-90
 Красноярск (391)204-63-61
 Курск (4712)77-13-04
 Курган (3522)50-90-47
 Липецк (4742)52-20-81

Магнитогорск (3519)55-03-13
 Москва (495)268-04-70
 Мурманск (8152)59-64-93
 Набережные Челны (8552)20-53-41
 Нижний Новгород (831)429-08-12
 Новокузнецк (3843)20-46-81
 Ноябрьск (3496)41-32-12
 Новосибирск (383)227-86-73
 Омск (3812)21-46-40
 Орел (4862)44-53-42
 Оренбург (3532)37-68-04
 Пенза (8412)22-31-16
 Петрозаводск (8142)55-98-37
 Псков (8112)59-10-37
 Пермь (342)205-81-47

Ростов-на-Дону (863)308-18-15
 Рязань (4912)46-61-64
 Самара (846)206-03-16
 Санкт-Петербург (812)309-46-40
 Саратов (845)249-38-78
 Севастополь (8692)22-31-93
 Саранск (8342)22-96-24
 Симферополь (3652)67-13-56
 Смоленск (4812)29-41-54
 Сочи (862)225-72-31
 Ставрополь (8652)20-65-13
 Сургут (3462)77-98-35
 Сыктывкар (8212)25-95-17
 Тамбов (4752)50-40-97
 Тверь (4822)63-31-35

Тольятти (8482)63-91-07
 Томск (3822)98-41-53
 Тула (4872)33-79-87
 Тюмень (3452)66-21-18
 Ульяновск (8422)24-23-59
 Улан-Удэ (3012)59-97-51
 Уфа (347)229-48-12
 Хабаровск (4212)92-98-04
 Чебоксары (8352)28-53-07
 Челябинск (351)202-03-61
 Череповец (8202)49-02-64
 Чита (3022)38-34-83
 Якутск (4112)23-90-97
 Ярославль (4852)69-52-93

Россия +7(495)268-04-70

Казахстан +7(7172)727-132

Киргизия +996(312)96-26-47