

Алматы (7273)495-231
 Ангарск (3955)60-70-56
 Архангельск (8182)63-90-72
 Астрахань (8512)99-46-04
 Барнаул (3852)73-04-60
 Белгород (4722)40-23-64
 Благовещенск (4162)22-76-07
 Брянск (4832)59-03-52
 Владивосток (423)249-28-31
 Владикавказ (8672)28-90-48
 Владимир (4922)49-43-18
 Волгоград (844)278-03-48
 Вологда (8172)26-41-59
 Воронеж (473)204-51-73
 Екатеринбург (343)384-55-89

Иваново (4932)77-34-06
 Ижевск (3412)26-03-58
 Иркутск (395)279-98-46
 Казань (843)206-01-48
 Калининград (4012)72-03-81
 Калуга (4842)92-23-67
 Кемерово (3842)65-04-62
 Киров (8332)68-02-04
 Коломна (4966)23-41-49
 Кострома (4942)77-07-48
 Краснодар (861)203-40-90
 Красноярск (391)204-63-61
 Курск (4712)77-13-04
 Курган (3522)50-90-47
 Липецк (4742)52-20-81

Магнитогорск (3519)55-03-13
 Москва (495)268-04-70
 Мурманск (8152)59-64-93
 Набережные Челны (8552)20-53-41
 Нижний Новгород (831)429-08-12
 Новокузнецк (3843)20-46-81
 Ноябрьск (3496)41-32-12
 Новосибирск (383)227-86-73
 Омск (3812)21-46-40
 Орел (4862)44-53-42
 Оренбург (3532)37-68-04
 Пенза (8412)22-31-16
 Петрозаводск (8142)55-98-37
 Пермь (342)205-81-47

Ростов-на-Дону (863)308-18-15
 Рязань (4912)46-61-64
 Самара (846)206-03-16
 Санкт-Петербург (812)309-46-40
 Саратов (845)249-38-78
 Севастополь (8692)22-31-93
 Саранск (8342)22-96-24
 Симферополь (3652)67-13-56
 Смоленск (4812)29-41-54
 Сочи (862)225-72-31
 Ставрополь (8652)20-65-13
 Сургут (3462)77-98-35
 Сыктывкар (8212)25-95-17
 Тамбов (4752)50-40-97
 Тверь (4822)63-31-35

Тольятти (8482)63-91-07
 Томск (3822)98-41-53
 Тула (4872)33-79-87
 Тюмень (3452)66-21-18
 Ульяновск (8422)24-23-59
 Улан-Удэ (3012)59-97-51
 Уфа (347)229-48-12
 Хабаровск (4212)92-98-04
 Чебоксары (8352)28-53-07
 Челябинск (351)202-03-61
 Череповец (8202)49-02-64
 Чита (3022)38-34-83
 Якутск (4112)23-90-97
 Ярославль (4852)69-52-93

Россия +7(495)268-04-70

Казахстан +7(7172)727-132

Киргизия +996(312)96-26-47

<https://vickers.nt-rt.ru> || vsh@nt-rt.ru



L041 Series Low Pressure Filter

Flows to 1135 L/min (300 USgpm)

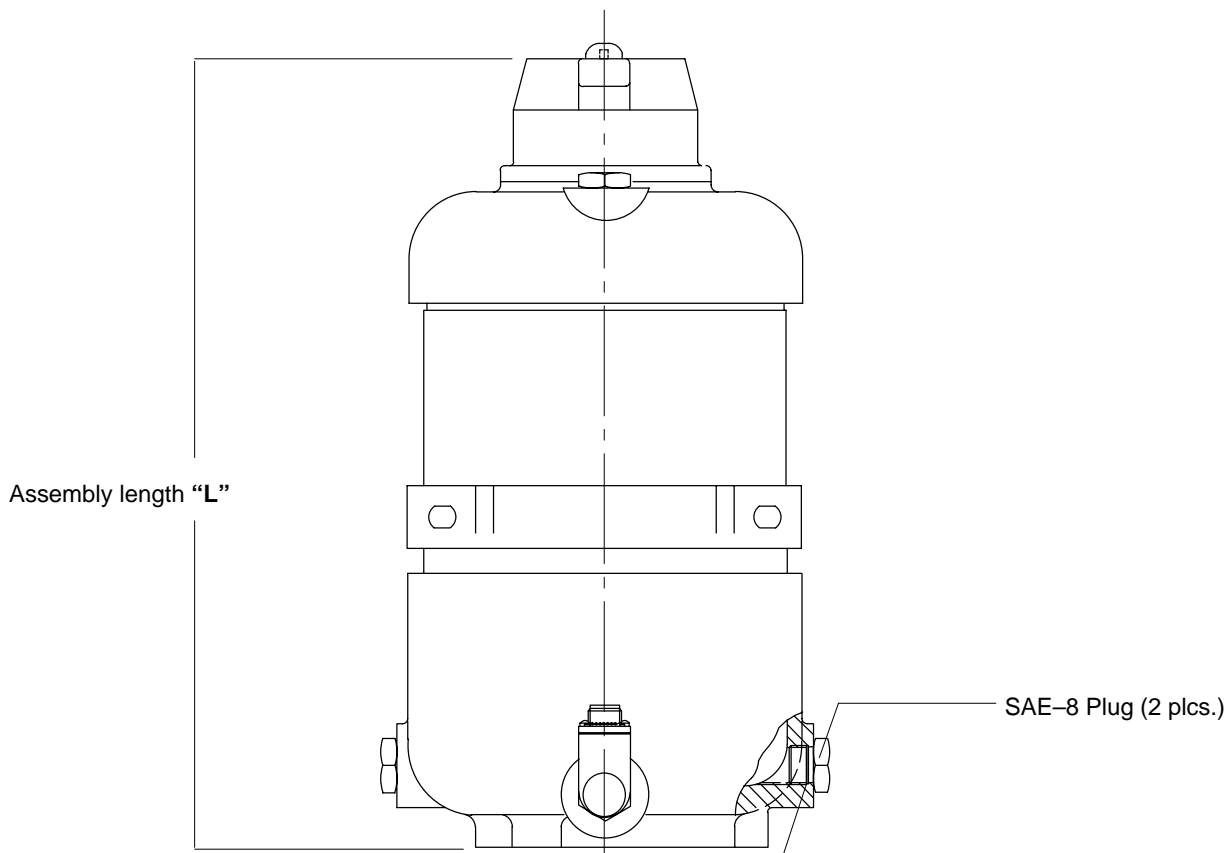


CAUTION

Before servicing the element, the bleed plug in filter housing must be loosened to relieve hydraulic pressure. This will minimize fluid overflow.

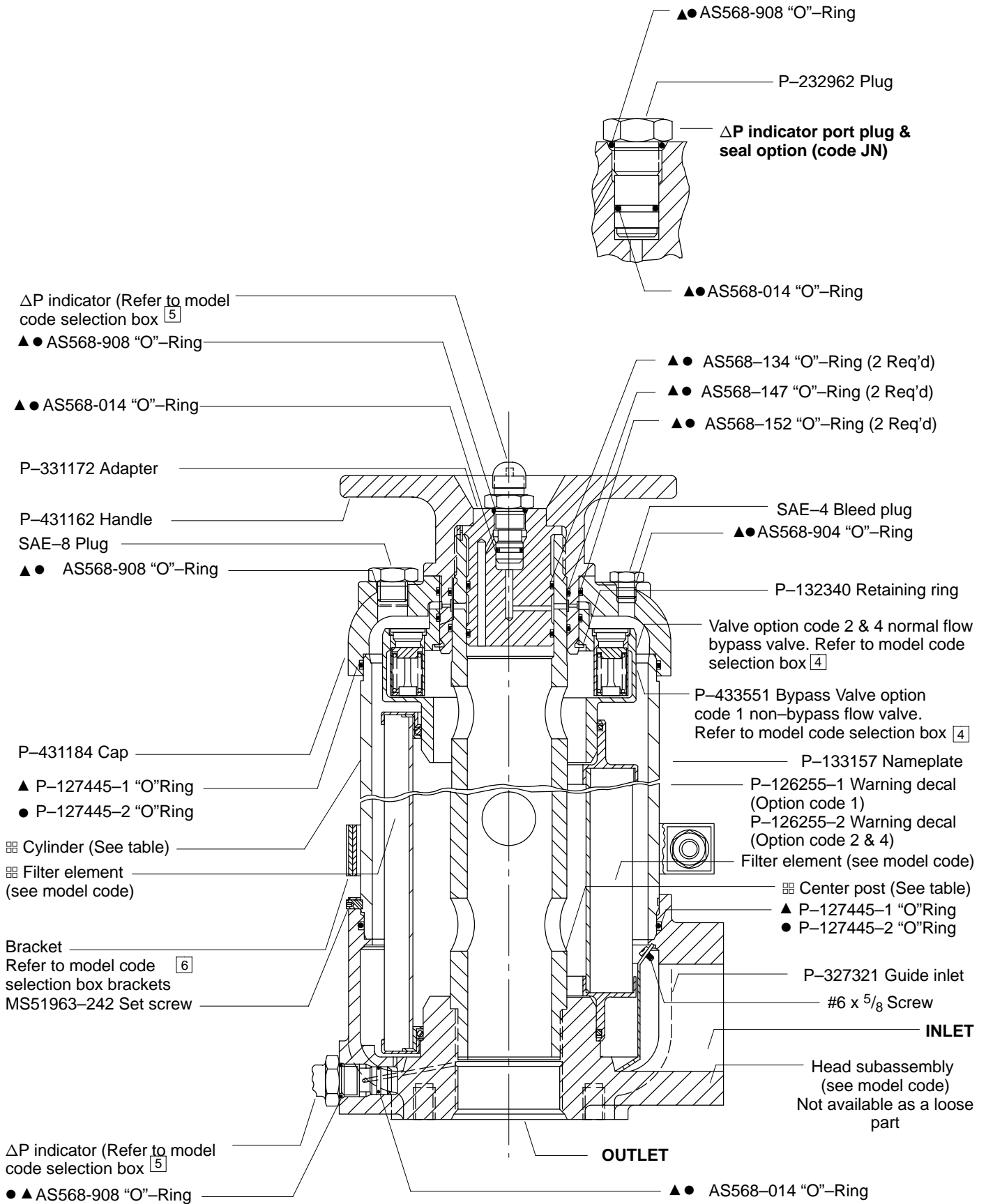
☒ Assembly length "L" code option (Refer to model code selection)

Model code	☒ Assy. length (mm) in.	☒ Cylinder	☒ Center post	# of clamp assy. req'd
2	(382.57) 15.062	P-331207-1	P-231261-1	1
5	(602.97) 23.739	P-331207-2	P-231261-2	2
8	(1157.30) 45.563	P-331207-3	P-231261-3	3



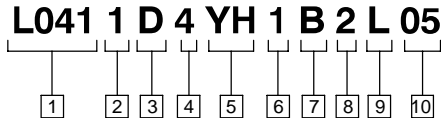
●▲AS568-908 "O"-Ring

- ▲ Included in seal kit P-427466-19 Buna
 - Included in seal kit P-427466-21 Viton
- Bowl kits contain (Bowl, "O" Ring, & Ring holder.



- ▲ Included in seal kit P-427466-19 Buna
- Included in seal kit P-427466-21 Viton

Housing Model Code



1 Filter series

L041

2 Element collapse rating

1 – 150 PSID

NOTE: **1** – use with bypass valve or monitored ΔP indicator

3 Port option

D – 1½" SAE–J514 straight thread

J – 2" SAE–J518 split flange Code 61

K – 2½" SAE–J518 split flange Code 61

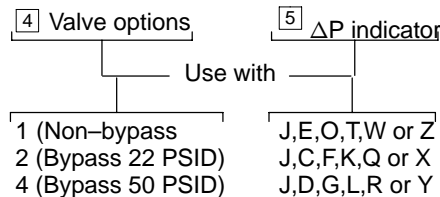
4 Valve option

1 – Non–bypass

2 – Bypass set at 22 ± 3 PSID cracking pressure.

4 – Bypass set at 50 ± 5 PSID cracking pressure.

NOTE: Do not use option **1** in systems with surge pressures over 120 PSID.



5 ΔP indicator & receptacle options
First designator (Indicator type)

C – Electrical/visual ΔP 15 ± 4 PSID.

D – Electrical/visual ΔP 35 ± 5 PSID.

5 ΔP indicator, First designator
(Indicator type) (con't.)

E – Electrical/visual ΔP 100 ± 12 PSID.

F – Electrical/visual ΔP 15 ± 4 PSID thermal lockout (100° F).

G – Electrical/visual ΔP 35 ± 5 PSID thermal lockout (100° F).

J – No ΔP indicator.

K – Visual ΔP indicator with 15 ± 4 PSID actuation & thermal lockout (100° F)

L – Visual ΔP indicator with 35 ± 5 PSID actuation & thermal lockout (100° F).

O – Visual ΔP indicator with 100 ± 12 PSID actuation & thermal lockout (100° F).

Q – Electrical ΔP switch with 15 ± 4 PSID actuation.

R – Electrical ΔP switch with 35 ± 5 PSID actuation.

T – Electrical ΔP switch with 100 ± 12 PSID actuation.

W – Electrical/visual ΔP 100 ± 12 PSID thermal lockout (100° F).

X – Electrical/visual ΔP 15 ± 4 PSID thermal lockout (100° F) & surge control.

Y – Electrical/visual ΔP 35 ± 5 PSID thermal lockout (100° F) & surge control.

Z – Electrical/visual ΔP 100 ± 12 PSID thermal lockout (100° F) & surge control.

Second designator (Electrical receptacle)

B – 5 pin Brad Harrison (41512)

H – DIN 43650 or Hirschman receptacle (GSA plug) 3 poles plus ground.

5 Second designator electrical receptacle options (con't.)

N – No receptacle – Use with visual ΔP indicator.

6 Brackets

1 – No bracket

2 – Single bracket (Bowl # 2)

3 – Double bracket (Bowl # 5)

4 – Triple bracket (Bowl # 8)

7 Seal material

B – Buna–N

V – Viton–A

8 Bowl length
mm (in)

2 – 358 (14.0)

5 – 574 (22.6)

8 – 1303 (51.3)

Element code
length mm (in)

203,2 (8)

406,4 (16)

990,6 (39)

9 Element construction

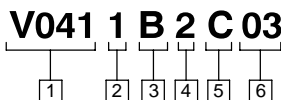
C – C–pak (3, 5, 10, 20)

L – L–pak (grade 3,5,10,20)

10 Fluid cleanliness ratings

Code	Fluid cleanliness level
03	16/14/12 or better
05	18/16/14 or better
10	20/18/15 or better
20	22/19/16 or better

Element Model Code



1 Filter element

V041 – For use with L041 series filters

2 Element collapse rating

1 – 150 PSID for C–pak

100 PSID for L–pak

NOTE: **1** – use with bypass valve or monitored ΔP indicator

3 Seal material

B – Buna–N

V – Viton–A

4 Bowl length
mm (in)

2 – 358 (14.0)

5 – 574 (22.6)

8 – 1303 (51.3)

Element code
length mm (in)

203,2 (8)

406,4 (16)

990,6 (39)

5 Element construction

C – C–pak (3,5,10 & 20)

L – L–pak (grade 3, 5,10, 20)

6 Fluid cleanliness ratings

Code	Fluid cleanliness level
03	16/14/12 or better
05	18/16/14 or better
10	20/18/15 or better
20	22/19/16 or better

The table above assumes limited ingress and a single pass of pump flow through the element. For more detailed information, please consult Vickers Guide to Systemic Contamination Control **561** or contact your local Vickers Distributor.

Алматы (7273)495-231
Ангарск (3955)60-70-56
Архангельск (8182)63-90-72
Астрахань (8512)99-46-04
Барнаул (3852)73-04-60
Белгород (4722)40-23-64
Благовещенск (4162)22-76-07
Брянск (4832)59-03-52
Владивосток (423)249-28-31
Владикавказ (8672)28-90-48
Владимир (4922)49-43-18
Волгоград (844)278-03-48
Вологда (8172)26-41-59
Воронеж (473)204-51-73
Екатеринбург (343)384-55-89

Иваново (4932)77-34-06
Ижевск (3412)26-03-58
Иркутск (395)279-98-46
Казань (843)206-01-48
Калининград (4012)72-03-81
Калуга (4842)92-23-67
Кемерово (3842)65-04-62
Киров (8332)68-02-04
Коломна (4966)23-41-49
Кострома (4942)77-07-48
Краснодар (861)203-40-90
Красноярск (391)204-63-61
Курск (4712)77-13-04
Курган (3522)50-90-47
Липецк (4742)52-20-81

Магнитогорск (3519)55-03-13
Москва (495)268-04-70
Мурманск (8152)59-64-93
Набережные Челны (8552)20-53-41
Нижний Новгород (831)429-08-12
Новокузнецк (3843)20-46-81
Ноябрьск (3496)41-32-12
Новосибирск (383)227-86-73
Омск (3812)21-46-40
Орел (4862)44-53-42
Оренбург (3532)37-68-04
Пенза (8412)22-31-16
Петрозаводск (8142)55-98-37
Псков (8112)59-10-37
Пермь (342)205-81-47

Ростов-на-Дону (863)308-18-15
Рязань (4912)46-61-64
Самара (846)206-03-16
Санкт-Петербург (812)309-46-40
Саратов (845)249-38-78
Севастополь (8692)22-31-93
Саранск (8342)22-96-24
Симферополь (3652)67-13-56
Смоленск (4812)29-41-54
Сочи (862)225-72-31
Ставрополь (8652)20-65-13
Сургут (3462)77-98-35
Сыктывкар (8212)25-95-17
Тамбов (4752)50-40-97
Тверь (4822)63-31-35

Тольятти (8482)63-91-07
Томск (3822)98-41-53
Тула (4872)33-79-87
Тюмень (3452)66-21-18
Ульяновск (8422)24-23-59
Улан-Удэ (3012)59-97-51
Уфа (347)229-48-12
Хабаровск (4212)92-98-04
Чебоксары (8352)28-53-07
Челябинск (351)202-03-61
Череповец (8202)49-02-64
Чита (3022)38-34-83
Якутск (4112)23-90-97
Ярославль (4852)69-52-93

Россия +7(495)268-04-70

Казахстан +7(7172)727-132

Киргизия +996(312)96-26-47

<https://vickers.nt-rt.ru> || vsh@nt-rt.ru