

Алматы (7273)495-231  
 Ангарск (3955)60-70-56  
 Архангельск (8182)63-90-72  
 Астрахань (8512)99-46-04  
 Барнаул (3852)73-04-60  
 Белгород (4722)40-23-64  
 Благовещенск (4162)22-76-07  
 Брянск (4832)59-03-52  
 Владивосток (423)249-28-31  
 Владикавказ (8672)28-90-48  
 Владимир (4922)49-43-18  
 Волгоград (844)278-03-48  
 Вологда (8172)26-41-59  
 Воронеж (473)204-51-73  
 Екатеринбург (343)384-55-89

Иваново (4932)77-34-06  
 Ижевск (3412)26-03-58  
 Иркутск (395)279-98-46  
 Казань (843)206-01-48  
 Калининград (4012)72-03-81  
 Калуга (4842)92-23-67  
 Кемерово (3842)65-04-62  
 Киров (8332)68-02-04  
 Коломна (4966)23-41-49  
 Кострома (4942)77-07-48  
 Краснодар (861)203-40-90  
 Красноярск (391)204-63-61  
 Курск (4712)77-13-04  
 Курган (3522)50-90-47  
 Липецк (4742)52-20-81

Магнитогорск (3519)55-03-13  
 Москва (495)268-04-70  
 Мурманск (8152)59-64-93  
 Набережные Челны (8552)20-53-41  
 Нижний Новгород (831)429-08-12  
 Новокузнецк (3843)20-46-81  
 Ноябрьск (3496)41-32-12  
 Новосибирск (383)227-86-73  
 Омск (3812)21-46-40  
 Орел (4862)44-53-42  
 Оренбург (3532)37-68-04  
 Пенза (8412)22-31-16  
 Петрозаводск (8142)55-98-37  
 Псков (8112)59-10-37  
 Пермь (342)205-81-47

Ростов-на-Дону (863)308-18-15  
 Рязань (4912)46-61-64  
 Самара (846)206-03-16  
 Санкт-Петербург (812)309-46-40  
 Саратов (845)249-38-78  
 Севастополь (8692)22-31-93  
 Саранск (8342)22-96-24  
 Симферополь (3652)67-13-56  
 Смоленск (4812)29-41-54  
 Сочи (862)225-72-31  
 Ставрополь (8652)20-65-13  
 Сургут (3462)77-98-35  
 Сыктывкар (8212)25-95-17  
 Тамбов (4752)50-40-97  
 Тверь (4822)63-31-35

Тольятти (8482)63-91-07  
 Томск (3822)98-41-53  
 Тула (4872)33-79-87  
 Тюмень (3452)66-21-18  
 Ульяновск (8422)24-23-59  
 Улан-Удэ (3012)59-97-51  
 Уфа (347)229-48-12  
 Хабаровск (4212)92-98-04  
 Чебоксары (8352)28-53-07  
 Челябинск (351)202-03-61  
 Череповец (8202)49-02-64  
 Чита (3022)38-34-83  
 Якутск (4112)23-90-97  
 Ярославль (4852)69-52-93

Россия +7(495)268-04-70

Казахстан +7(7172)727-132

Киргизия +996(312)96-26-47

<https://vickers.nt-rt.ru> || [vsh@nt-rt.ru](mailto:vsh@nt-rt.ru)

## MF2P Series Filters

Flows to 113.5 L/min  
(30 USgpm)

Pressures to 275.5 bar  
(4000 PSI)



### Features and Benefits

- Designed to comply with ANSI specifications and ISO cleanliness standards.
- Visual, electrical, and electrical indicators with lamp options for system design flexibility.
- Fully serviceable without tools.
- Zero leak by-pass valve construction.
- Wide range of element lengths for maximum design flexibility.
- High efficiency replacement elements in standard configurations (C-Pak) to meet Target Cleanliness Levels.
- High collapse elements available for non-bypass applications.

### DESIGN SPECIFICATIONS

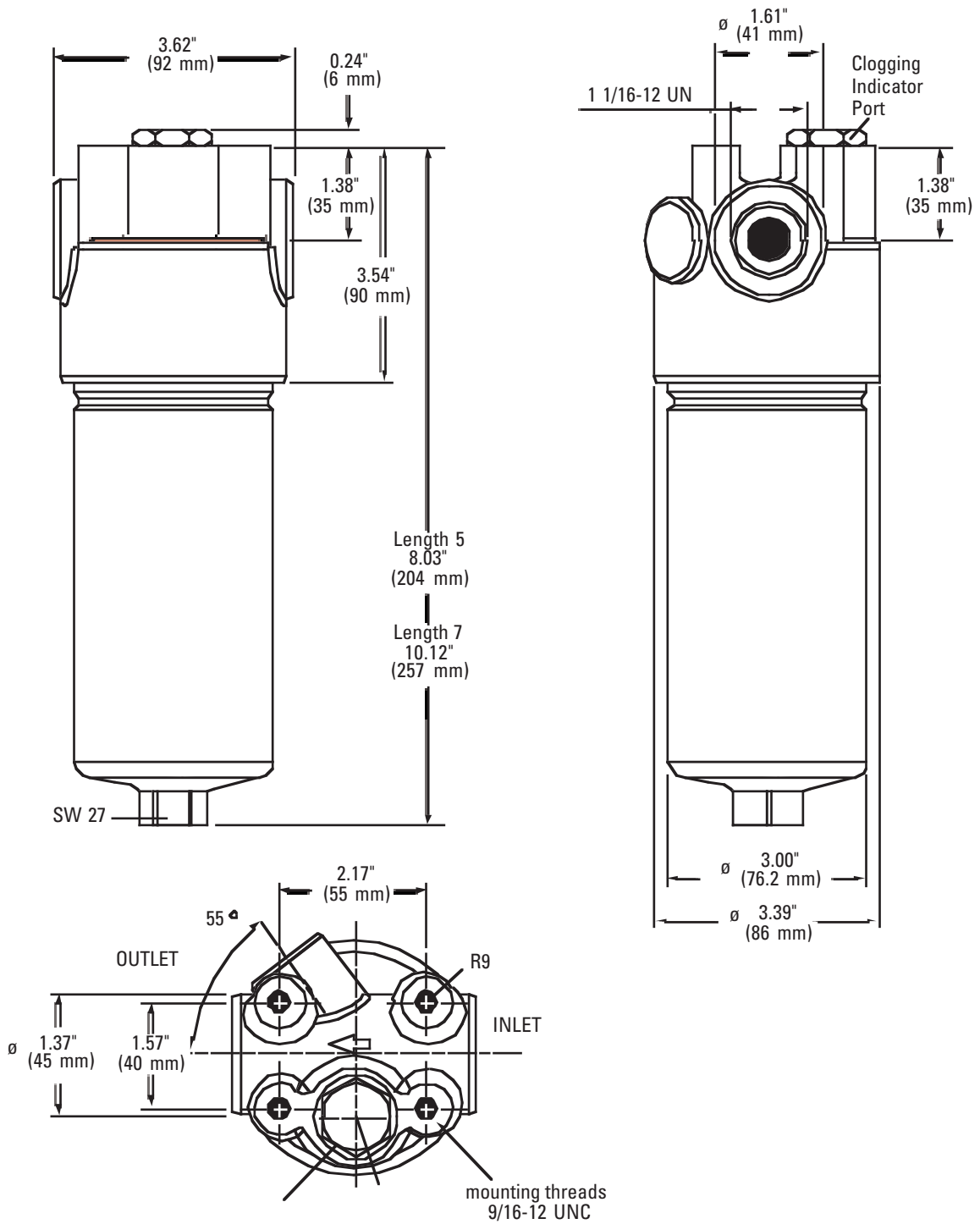
<b>Rated flow:</b>	Length 5 Length 7	68 L/min (18 USgpm) 113.5 L/min (30 USgpm)
<b>Housing &amp; Element Compatibility:</b>	Compatible with most petroleum oil, oil-in-water and water-in-oil fluids. Optional seals available for phosphate esters.	
<b>Temp range:</b>	-26°C to +121°C (-15°F to +250°F)	
<b>Pressure rating:</b>	Operating Proof Burst Fatigue	276 bar (4000 PSI) 414 bar (6000 PSI) 980 bar(14,210 PSI) 276 bar (4000 PSI)
<b>Material:</b>	Head Bowl	Ductile iron Steel
<b>Dry weight: (Approximate)</b>	Length 5 Length 7	3.9 kg (8.3 lbs) 4.5 kg (9.9 lbs)



# Dimensions

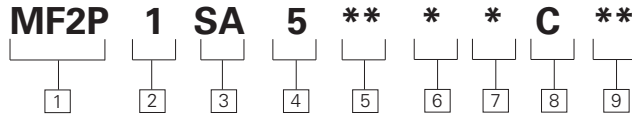
## MF2P Housing

mm (inch)



# Model Codes

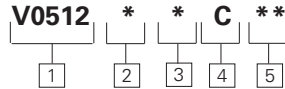
## MF2P Series Filter Assembly Model Code



Sample model code:  
MF2P-1-SA-5-UN-B-5-C-05

<p><b>1 Filter Series MF2P</b></p> <p><b>2 Element Collapse Rating</b> 1 - 250 PSI Low Collapse</p> <p><b>3 Port options</b> <b>SA</b> - 1.062 - 12UN SAE-12 (3/4" tube)</p> <p><b>4 Valve options</b> 5 - Bypass set at 100 PSI (7 bar) cracking pressure</p> <p><b>5 Indicator options</b> <b>First Designator - Indicator Type</b> <b>A</b> - Visual 70 PSI <b>J</b> - No Indicator (plug) <b>U</b> - Electrical 70 PSI</p>	<p><b>Second Designator - Electrical Receptical</b> <b>B</b> - Brad Harrison <b>H</b> - Hirshman <b>J</b> - Hirshman with 24 volt light <b>K</b> - Hirshman with 115 volt light <b>L</b> - Hirshman with 230 volt light <b>N</b> - No Connector - use with visual indicators and "J"</p> <p><b>6 Seal material</b> <b>B</b> - Buna-N <b>V</b> - Viton-A <small>Viton is a registered trademark of E.I. DuPont</small></p> <p><b>7 Element length</b> <b>5</b> - 117mm (5") <b>7</b> - 169mm (7")</p> <p><b>Assembly length</b> <b>210mm (8.27")</b> <b>263mm (10.36")</b></p>	<p><b>8 Element construction</b> <b>C</b> - 250 PSI Low Collapse</p> <p><b>9 Fluid cleanliness rating</b></p> <table border="0"> <thead> <tr> <th>Code</th> <th>Target fluid cleanliness level</th> </tr> </thead> <tbody> <tr> <td><b>03</b></td> <td>16/14/12 or better</td> </tr> <tr> <td><b>05</b></td> <td>18/16/14 or better</td> </tr> <tr> <td><b>10</b></td> <td>20/18/15 or better</td> </tr> <tr> <td><b>20</b></td> <td>22/19/16 or better</td> </tr> </tbody> </table> <p>The table assumes limited ingress/single pass of pump flow through element. For detailed assistance, see "The Systemic Approach to Contamination Control" or contact your local Eaton representative.</p>	Code	Target fluid cleanliness level	<b>03</b>	16/14/12 or better	<b>05</b>	18/16/14 or better	<b>10</b>	20/18/15 or better	<b>20</b>	22/19/16 or better
Code	Target fluid cleanliness level											
<b>03</b>	16/14/12 or better											
<b>05</b>	18/16/14 or better											
<b>10</b>	20/18/15 or better											
<b>20</b>	22/19/16 or better											

## V0512 Series Replacement Element Model Codes



Sample model code:  
V0512-B-5-C-05

<p><b>1 Filter element</b> <b>V0512</b> - For use with MF2P series housings</p> <p><b>2 Seal material</b> <b>B</b> - Buna-N <b>V</b> - Viton-A <small>Viton is a registered trademark of E.I. DuPont</small></p> <p><b>3 Element length</b> mm (inch) <b>5</b> - 117 (5) <b>7</b> - 169 (7)</p>	<p><b>4 Element construction</b> <b>C</b> - C-Pak (grade 3, 5, 10, 20)</p> <p><b>5 Fluid cleanliness ratings</b></p> <table border="0"> <thead> <tr> <th>Code</th> <th>Target fluid cleanliness level</th> </tr> </thead> <tbody> <tr> <td><b>03</b></td> <td>16/14/12 or better</td> </tr> <tr> <td><b>05</b></td> <td>18/16/14 or better</td> </tr> <tr> <td><b>10</b></td> <td>20/18/15 or better</td> </tr> <tr> <td><b>20</b></td> <td>22/19/16 or better</td> </tr> </tbody> </table>	Code	Target fluid cleanliness level	<b>03</b>	16/14/12 or better	<b>05</b>	18/16/14 or better	<b>10</b>	20/18/15 or better	<b>20</b>	22/19/16 or better	<p>The table assumes limited ingress/single pass of pump flow through element. For detailed assistance, see "The Systemic Approach to Contamination Control" or contact your local Eaton representative.</p>
Code	Target fluid cleanliness level											
<b>03</b>	16/14/12 or better											
<b>05</b>	18/16/14 or better											
<b>10</b>	20/18/15 or better											
<b>20</b>	22/19/16 or better											

### M2P SERIES DESIGN SPECIFICATIONS

<b>Rated flow:</b>	Length 5 Length 7	68 L/min (18 USgpm) 280 L/min (74 USgpm)
<b>Housing &amp; Element Compatibility:</b>	Compatible with most petroleum oil, oil-in-water and water-in-oil fluids. Optional seals available for phosphate esters.	
<b>Temp range:</b>	-25°C to +120°C (-15°F to +250°F)	
<b>Construction:</b>	C-Pak	

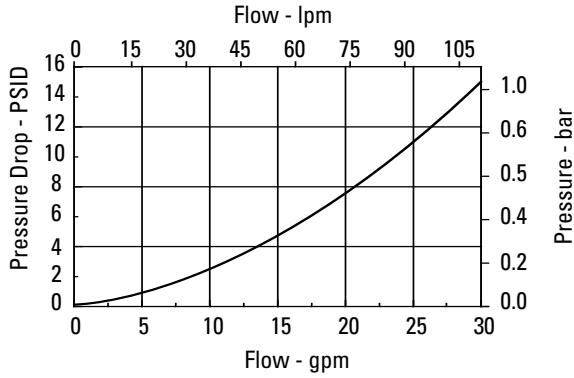
# MF2P Series Flow Data

Flow versus pressure drop:  
150 SUS (32 cSt) oil with  
specific gravity of <0.9

mm (inch)

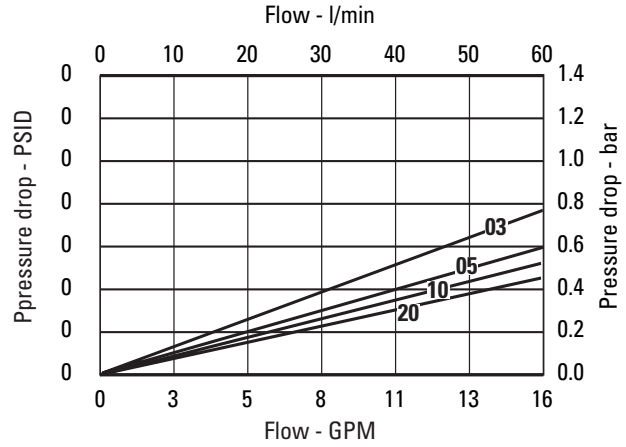
## Housing Curves

Differential Pressure Versus Flow  
MF2P (SAE 12 Porting)

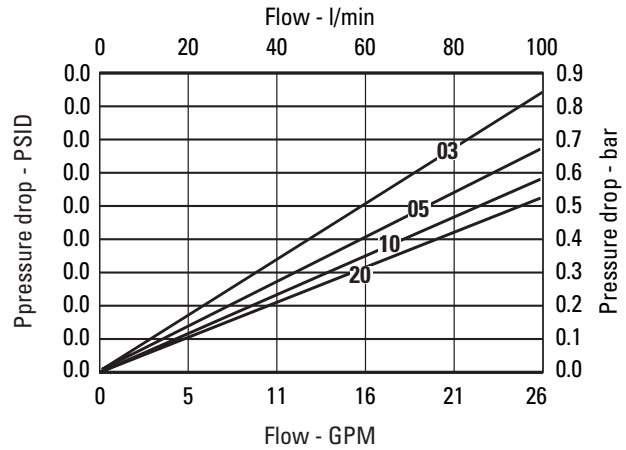


## Element Flow Curves

MF2P-5



MF2P-7



Алматы (7273)495-231  
Ангарск (3955)60-70-56  
Архангельск (8182)63-90-72  
Астрахань (8512)99-46-04  
Барнаул (3852)73-04-60  
Белгород (4722)40-23-64  
Благовещенск (4162)22-76-07  
Брянск (4832)59-03-52  
Владивосток (423)249-28-31  
Владикавказ (8672)28-90-48  
Владимир (4922)49-43-18  
Волгоград (844)278-03-48  
Вологда (8172)26-41-59  
Воронеж (473)204-51-73  
Екатеринбург (343)384-55-89

Иваново (4932)77-34-06  
Ижевск (3412)26-03-58  
Иркутск (395)279-98-46  
Казань (843)206-01-48  
Калининград (4012)72-03-81  
Калуга (4842)92-23-67  
Кемерово (3842)65-04-62  
Киров (8332)68-02-04  
Коломна (4966)23-41-49  
Кострома (4942)77-07-48  
Краснодар (861)203-40-90  
Красноярск (391)204-63-61  
Курск (4712)77-13-04  
Курган (3522)50-90-47  
Липецк (4742)52-20-81

Магнитогорск (3519)55-03-13  
Москва (495)268-04-70  
Мурманск (8152)59-64-93  
Набережные Челны (8552)20-53-41  
Нижний Новгород (831)429-08-12  
Новокузнецк (3843)20-46-81  
Ноябрьск (3496)41-32-12  
Новосибирск (383)227-86-73  
Омск (3812)21-46-40  
Орел (4862)44-53-42  
Оренбург (3532)37-68-04  
Пенза (8412)22-31-16  
Петрозаводск (8142)55-98-37  
Псков (8112)59-10-37  
Пермь (342)205-81-47

Ростов-на-Дону (863)308-18-15  
Рязань (4912)46-61-64  
Самара (846)206-03-16  
Санкт-Петербург (812)309-46-40  
Саратов (845)249-38-78  
Севастополь (8692)22-31-93  
Саранск (8342)22-96-24  
Симферополь (3652)67-13-56  
Смоленск (4812)29-41-54  
Сочи (862)225-72-31  
Ставрополь (8652)20-65-13  
Сургут (3462)77-98-35  
Сыктывкар (8212)25-95-17  
Тамбов (4752)50-40-97  
Тверь (4822)63-31-35

Тольятти (8482)63-91-07  
Томск (3822)98-41-53  
Тула (4872)33-79-87  
Тюмень (3452)66-21-18  
Ульяновск (8422)24-23-59  
Улан-Удэ (3012)59-97-51  
Уфа (347)229-48-12  
Хабаровск (4212)92-98-04  
Чебоксары (8352)28-53-07  
Челябинск (351)202-03-61  
Череповец (8202)49-02-64  
Чита (3022)38-34-83  
Якутск (4112)23-90-97  
Ярославль (4852)69-52-93

Россия +7(495)268-04-70

Казахстан +7(7172)727-132

Киргизия +996(312)96-26-47